



## Thin Plate Sheet Slitting Machine

KINGREAL is a professional thin plate sheet slitting machine manufacturer and supplier in China. KINGREAL has been focusing on the field of slitting machines for more than 20 years, has rich production experience, has a professional technical team, and can design different coil slitting machines for customers. Welcome to contact us

### Product Description



[Brief Introduction Of Thin Plate Sheet Slitting Machine](#)





KINGREAL manufacturer can provide the thin plate sheet slitting machine, which can independently complete large-tonnage metal processing projects.

KINGREAL designed this coil slitting machine to precisely slit thin sheet materials, such as hot-rolled steel coils, cold-rolled steel coils, galvanized steel coils, aluminum coils, stainless steel coils, silicon steel coils and other materials into different widths according to customer needs.

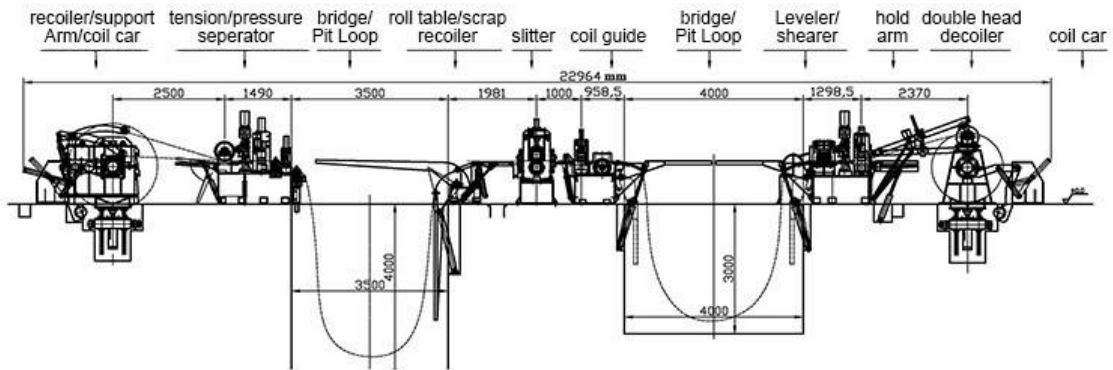
According to the different thickness of the material can be divided into thin plate slitting machine, medium and thick plate slitting line and medium&thick plate coil slitting machine.

In order to process materials more accurately, the slitting machine designed by KINGREAL is specially adjusted for materials of different thicknesses.

KINGREAL automatic thin plate coil slitting machine works in conjunction with an automatic system to minimize production errors and deformation rates of the material. In this way, there is no production waste, and production runs smoothly and quickly. Products of high quality and smooth surface can be easily processed with this machine.

**Working Process Of Thin Plate Sheet Slitting Machine**

**Loading Trolley -- Decoiler -- Roller Feeding -- Loop Bridge -- Slitting Machine -- Waste Wire Machine -- Loop -- Separator -- Rewinding**



**Reference Date Of Thin Plate Sheet Slitting Machine**

Machine Type	Coil slitting Machine
Raw material	Thin plate, cold-rolled plate
Raw material thickness	0.3-4 (mm)
Slitting accuracy	±0.3, ±0.5, ±1 (mm)
Unit speed	40, 60, 80, 100 (M/min)

**Production Parts List Reference**

Name	Number
Loading Trolley	1 set
Hydraulic Decoiler	1 set
Carrier Transfer Unit	1 set
Slitting Cutter Unit	1 set
Slitting Knives	1 set
Rolled Sheet Tension Control ( Eraser System )	1 set
Separator Units and Parts	1 set
Coil Winder System	1 set
Exit Car	1 set

## ▶ Feature Of Thin Plate Sheet Slitting Machine ◀

- It is used to uncoil, slit and rewind the metal coil into a coil of the required width. It is suitable for processing cold-rolled and hot-rolled carbon steel, silicon steel, tinplate, stainless steel and various metal materials after surface coating.
- For users with high requirements, which can be selected to automatically edge or center the material, which not only facilitates feeding, improves work efficiency, but also improves cutting accuracy and protects the sheet. You can also choose automatic edge control to ensure the uniformity of winding ,especially for wide material winding.



- The production line is mainly composed of feeding trolley, uncoiler, traction leveling machine, shearing machine, slitter, waster edge winder, tension mechanism, winder, unloading device, etc.
- The equipment has a high degree of automation, simple and reliable operation, high work efficiency, fast production line speed, and self-matching uni speed.

## ▶ Application Of Coil Slitting Line

Most of these smaller strips are used in the manufacturer of transformers, motor manufacturing industry, tube/tube welding plant industry, next process use industry in specialized fields such as cold rolling forming industry, ceiling plasterboard industry and other high precision equipment manufacturing and metal strip manufacturing industry.

## ◀ FAQ ▶

### What is coil processing?

Coil processing is the transformation of steel coils into various shapes and sizes. Common coil processing techniques include cut-to-length, slitting, shape standardization, stretching/straightening, and edge sealing.

Different coil lines will achieve different results and end products, so it is important to know what process you want to accomplish when selecting a coil line.

This page is a slitting line for the steel coil category.

### What is our advantages?

With more than 15 years experience in manufacturing the machines and we are a manufacturer.

So we can provide the strong and powerful service before and after sales.

### 3. How to visit your company?

Our factory is located in Foshan city, Guangdong Province. So there are two ways to our city.

One is by flight, direct to Foshan or Guangzhou Airport. Another is by train, direct to Foshan or Guangzhou station.

We will pick you up at the station or airport.

### What information do you have to provide for us to prepare a quote?

1. Thickness of the coil (min-max)?
2. Coil width (min-max)?
3. What is your steel material?
4. Coil weight (max)?
5. How many pieces of maximum thickness do you need to slit?

6. How many tons do you need per day or per month?